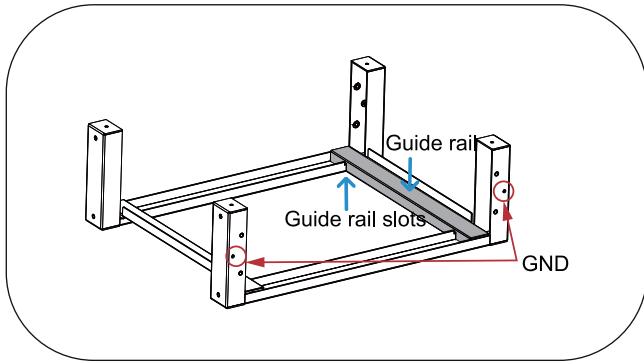


OPTONICA

Battery Rack Installation Guide

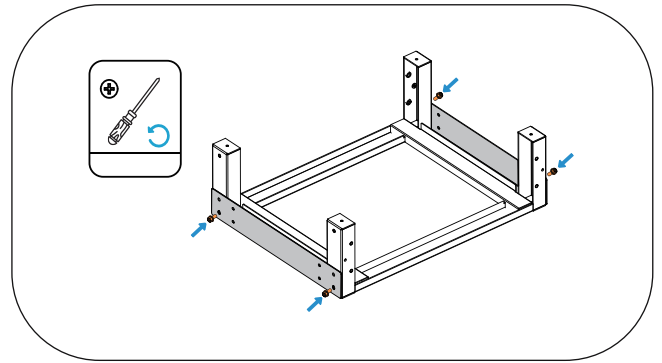
Step 1

Place the rack as shown, ensuring that the positions are limited by the guide rail slots (the sides with the grounding connection nuts should face outward).



Step 2

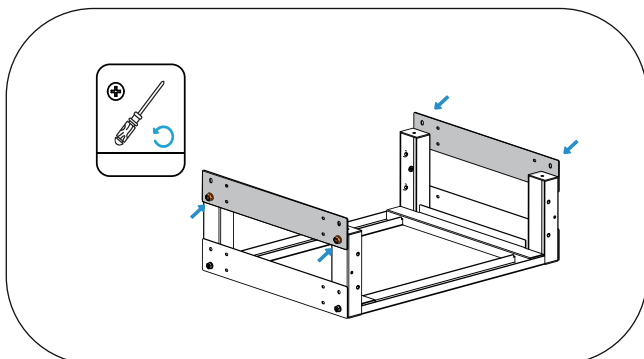
Mount the connecting strip and secure it to the bottom of the rack using M6 screws through the waist hole.



Note: The two adjacent layers of rack should be vertical aligned.

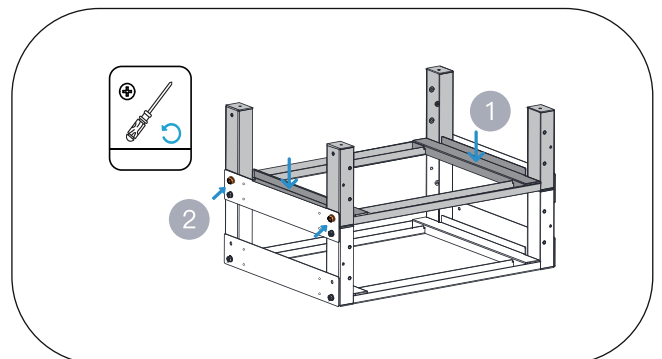
Step 3

Mount the connecting strip and secure it to the top of the rack using M6 screws through the round hole.



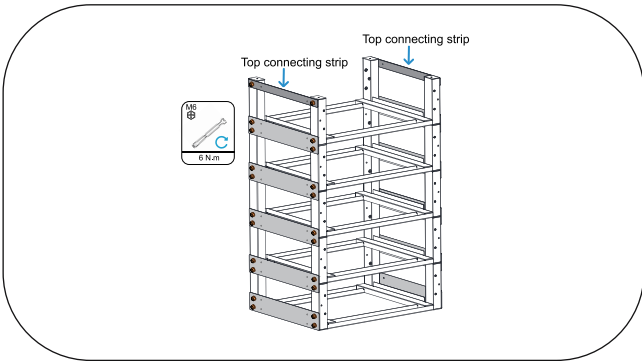
Step 4

Position the second layer rack, align it using the guide rail slots, and secure the connecting strip (waist hole) to the bottom of the second layer rack.



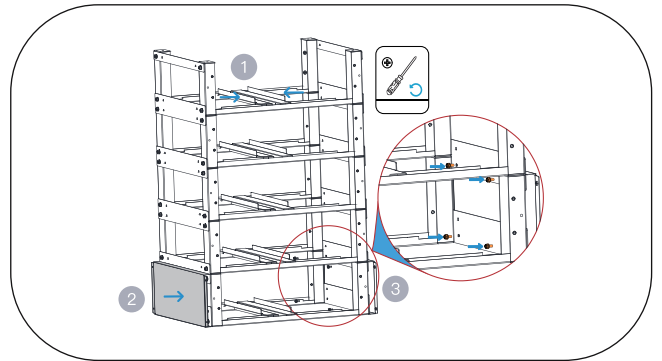
Step 5

Mount the racks sequentially to the required number of layers (up to five). Install the top connection strip on the uppermost layer, then tighten the M6 screws on the connecting strip using a spanner (recommended torque: 6 N·m).



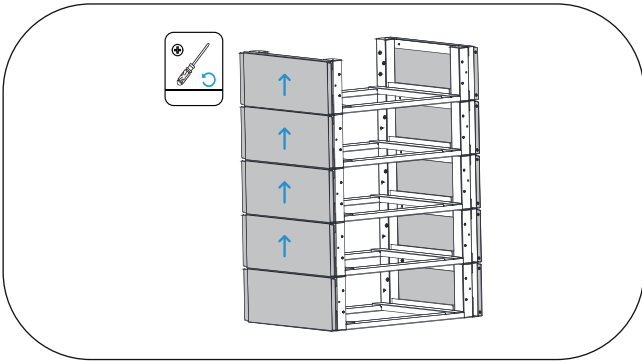
Step 6

Remove the guide rail, install the side cover, and secure it to the connecting strip from the inner side using M4 screws.



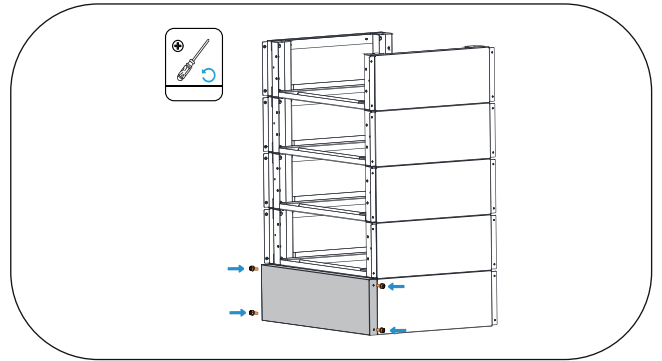
Step 7

Install the side covers in sequence, ensuring that the edge lines of the upper and lower covers are properly aligned.



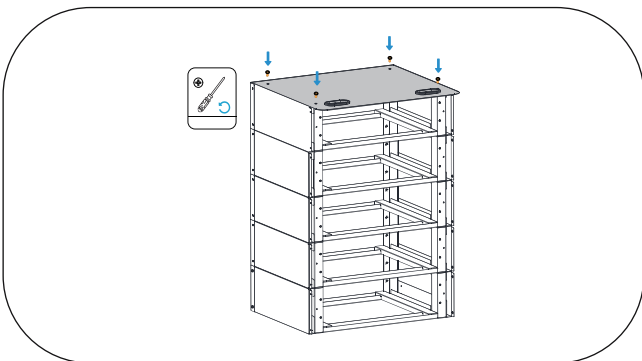
Step 8

Mount the rear cover.



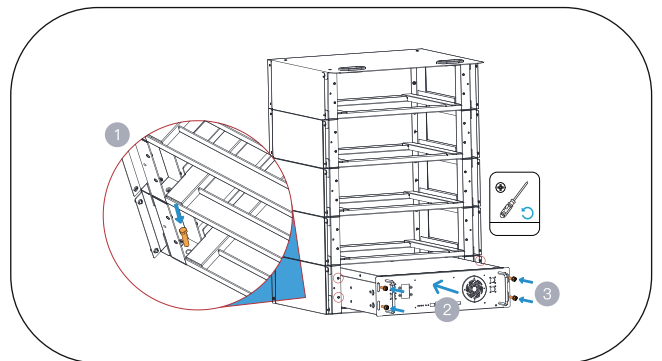
Step 9

Mount the top cover.



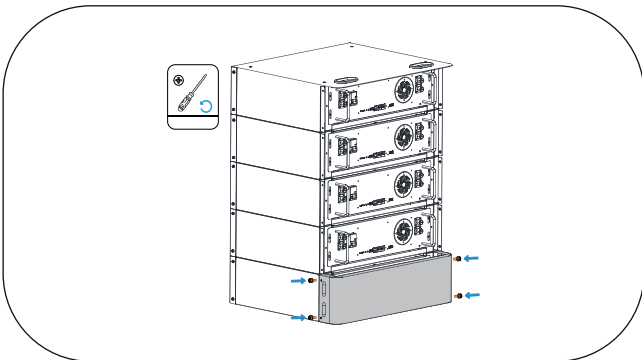
Step 10

Reserve M8 expansion screw holes at the bottom of the rack, allowing for installation and positioning based on your requirements.



Step 11

Before mounting the front cover, please install the modules in order from bottom to top, fix the modules and connect the relevant harnesses.



Step 12

Mount the front cover to complete the installation.

